

fig.1 Model

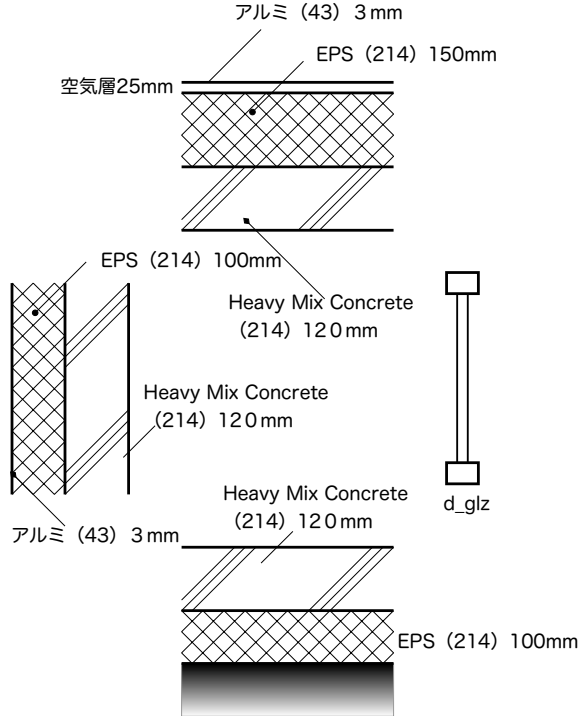
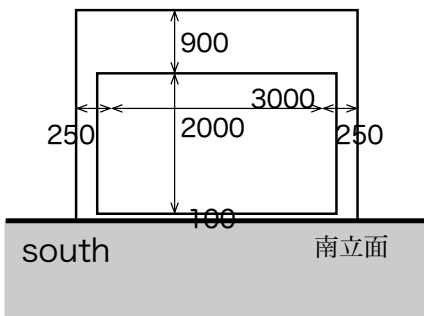
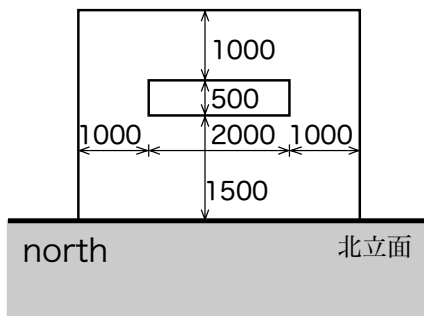


fig.2 section



south

南立面



north

北立面

fig.3 elevation